

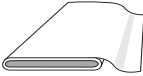
SKIRT JUPE FALDA

ABC: semi-fitted, semi-ajusté, semi-ajustado

		55 ins / 140 cm					
Sizes		6/8	10/12	14/16	18/20	22/24	26/28
Tailles	Tallas	32/34	36/38	40/42	44/46	48/50	52/54
A	yds	7/8	7/8	7/8	7/8	7/8	1 1/4
	m	0,75	0,75	0,75	0,75	0,75	1,45
B	yds	7/8	1 1/8	1 1/8	1 1/8	1 1/8	1 1/4
	m	0,75	1,40	1,40	1,40	1,40	1,45
C	yds	1 3/4	1 3/4	1 3/4	1 3/4	1 3/4	1 3/4
	m	1,45	1,45	1,45	1,45	1,45	1,45

▶ with nap avec sens con dirección

★ without nap sans sens sin dirección

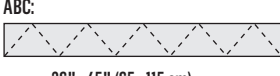


Lightweight cottons,
crêpe fabrics

Cotonnade légère,
crêpe

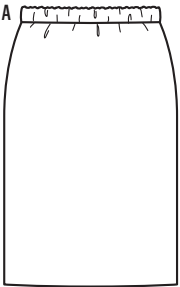
Telas ligeras de algodón,
géneros de crep

ABC:



26" - 45" (65 - 115 cm)

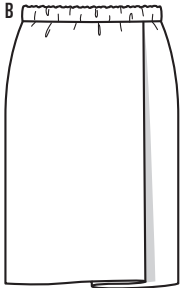
A



23 3/4" (60 cm)

40 3/4" - 56" (102 - 142 cm)


B



23 3/4" (60 cm)

51 1/4" - 70" (130 - 178 cm)

C



25 3/4" (65 cm)

72 3/4" - 91 3/4" (185 - 233 cm)